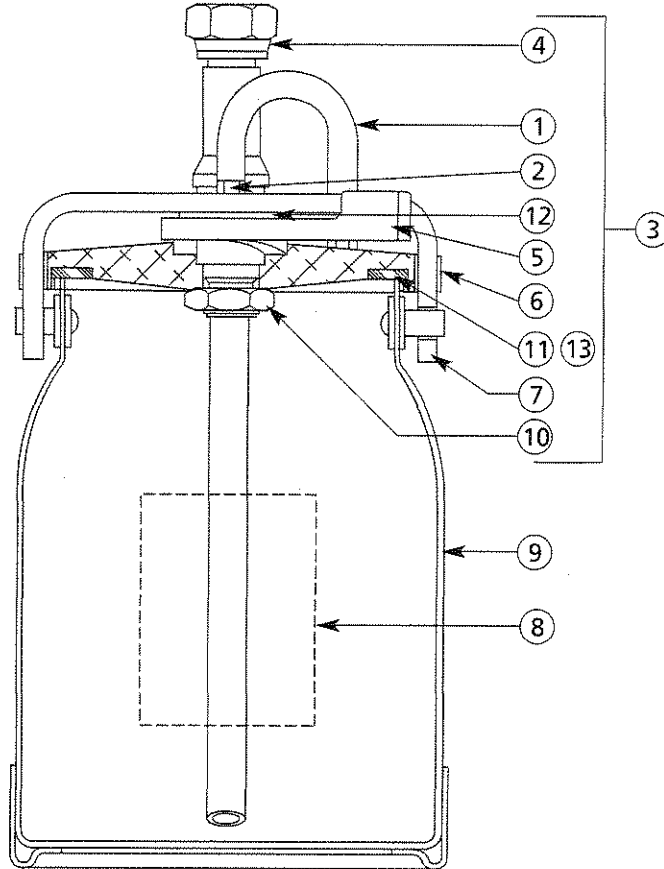




# Binks MODEL 81-350 DRIP-PROOF QUART SIPHON CUP AND ATTACHMENTS

3/8 NPS THREAD SWIVEL NUT



## NOTE

Keep tube and tube connectors clean of paint. Accumulation of paint in the tube or connectors can plug them and prevent the siphon action.

## PARTS LIST

When ordering, please specify Part No.

ITEM NO.	PART NO.	DESCRIPTION	QTY.	ITEM NO.	PART NO.	DESCRIPTION	QTY.
1	81-304	TUBE (One Spare)	2	8	81-358	DECAL	1
2	81-307	CONNECTOR	2	9	82-47	ONE QUART CUP (Aluminum)	1
3	81-351	COVER ASSEMBLY	1	10	82-55	NUT	1
4	81-352	CENTER POST	1	11	82-56*	TRI-SEAL FOAM GASKET (Optional)	
5	81-354	LEVER	1	12	82-368	WASHER	1
6	81-355	COVER	1	13	82-467•	LEATHER GASKET	1
7	81-356	YOKE	1				

\* Optional 82-56 tri-Seal Foam Gasket.  
• Furnished as standard

Sales and Service Through a Nationwide Network of Industrial Distributors.

Customer Service in USA / 1-800-992-4657  
Technical Support in USA / 1-888-992-4657

Model 81-350 "Drip-Proof" Patent No. 4,174,000

2250R-3 Revisions: Changed 82-56 to Tri-Seal Foam Gasket.



195 Internationale Blvd.  
Glendale Heights, IL 60139

Printed in USA 2/02, All Rights Reserved

Replaces Part Sheet 2250R-3	Part Sheet 2250R-4
-----------------------------------	--------------------------